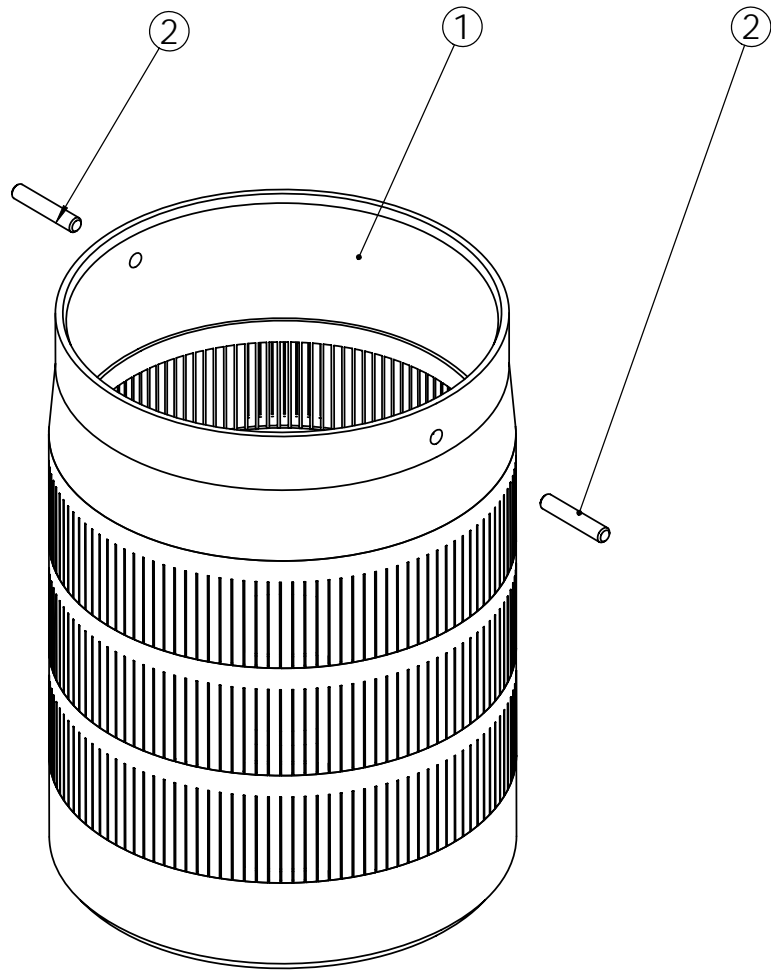


REVISIONS				
ECN	Rev.	Description	Date (dd/mm/yy)	Approved
F5209	B	REACTIVATED / REPLACE S/E 26051 (OBSOLETED)	22/06/10	CHT



REPLACE S/E 26051 (OBSOLETE)

ITEM	PN	DESCRIPTION	Qty
1	26049	TOP DISTRIBUTOR 2" ASSY 2850 / 2900 HW	1
2	12044	PIN , TOP COLLECTOR	2



Top Distrib 2" & Pin Assy

**KIT No 9**  
Chapitre 29